

Dual channel transmitter with 2 analog signal outputs for the continuous measurement of differential pressure in a IP54 case.

Integrated 2.8 Zoll LCD touch display.

Bidirectional differential pressure sensors based on dynamic (massflow) measurement with absolute pressure sensor included.

Configuration with USB cable for Windows PC.

Art.-Nr.:

2602366

Product-name:

 nLink+ DI AS B-M 1*dp sensor $\pm 250\text{Pa}$
Technical data:

Measurement Range	-250 to +250 Pascal
Accuracy at 20°C	$\pm 0.25\text{Pa}$
Temperature effect	Max. $\pm 0.10\text{Pa}$
Max. Resolution	0.1 Pa
Long term stability	$\pm 0.05\%$ FSS (typ)
Flow rate	<200ul/min
Ambient pressure dependency	Compensated with built in abs pressure sensor
Ambient pressure: Range	700 – 1260 hPa / mBar
Ambient pressure: Accuracy	± 0.5 hPa
Max. permissible overpressure	2 bar (burst pressure 4 bar)
Power supply	24V DC, Permissible voltage range: 5 to 39V
Power consumption	<0.5W
Display	2.8 Zoll LCD Touch Display
Status LED	LED for power On, LED for nSens connected
Output	2 scalable analog outputs, current 0/4..20mA or voltage 0/2..10V Accuracy <0.05% of span Linearity <0.05% of span Temperature effect 0.005% of span / °C Load (I): min. 0Ω / max. 500hΩ or (Uin-2V)/Imax Load resistance (U): min. 10 kΩ / max. $\infty\Omega$
Housing material	PC/ABS
Protection class	IP54
Soldering material	lead free (RoHS compliant)
Working temperature	0 to 50°C
Storage temperature	-10 to 60°C (non-condensing)
CE-/EMC	Safety: EN 61010-1:2020 EMC: IEC 61000-6-3:2020, EN 61000-6-3:2007+A1:2011 EN IEC 6100-6-3:2021 IEC 61000-6-2:2016, EN 61000-6-2:2019 IEC 61326-1:2012 / EN 61326-1:2013 IEC 61326-1:2020 / EN 61326-1:2021

Electrical installation:

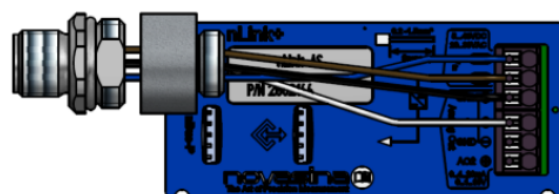
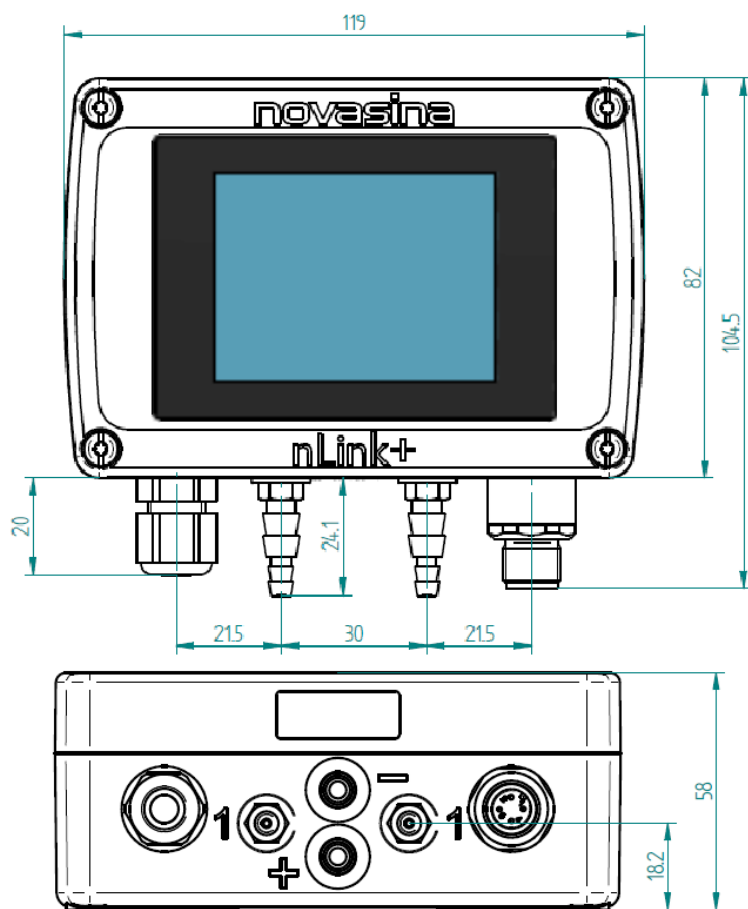
Clamping range	0.13 - 1.5mm ² (Push-in Spring clip)	
Wires	w. plastic collar ferrule DIN 46228/4:	0,25 - 0.75 mm ²
	w. wire end ferrule DIN 46228/1:	0,25 - 1.50 mm ²
	Solid, min. H05(07) V-U	0.2 - 1.50 mm ²
	Wire connection cross section AWG28 - 14	

Cable specifications depend on the installation and have to be defined by the designer or installer. Heavy machinery and other instrumentation should not share the same power supply wiring. Use noise filters and surge protectors if required.

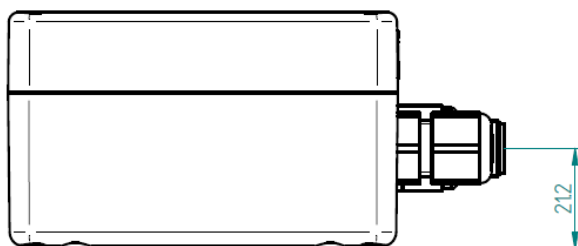
For EMC protection it is recommended to take the following measures:

- Wires emitting interference must be separated from measurement and analysis units
- Parallel guidance of measurement cables and electrical power cables must be avoided, use different channels with separation (see European Standard EN50170 for detailed information)

Dimension & Schematics:



Wiring		
Cable color & function	M12 male Connector	nLink + AS board
Brown Power +	Pin 1	Pin 2
White A Out +	Pin 2	Pin 4
Blue Power -	Pin 3	Pin 1
Black A Out GND	Pin 4	Pin 3



Technical data subject to change without prior notice