



Digital differential pressure sensor for ambient air condition.

Digital sensor stores calibration data and identification for quick exchange and calibration.

nSens-DP is compatible with all nLink+ transmitters, nlink-USB adapter and nSens extension cables.

Calibration and configuration with USB cable for Windows PC.

Art.-Nr.:

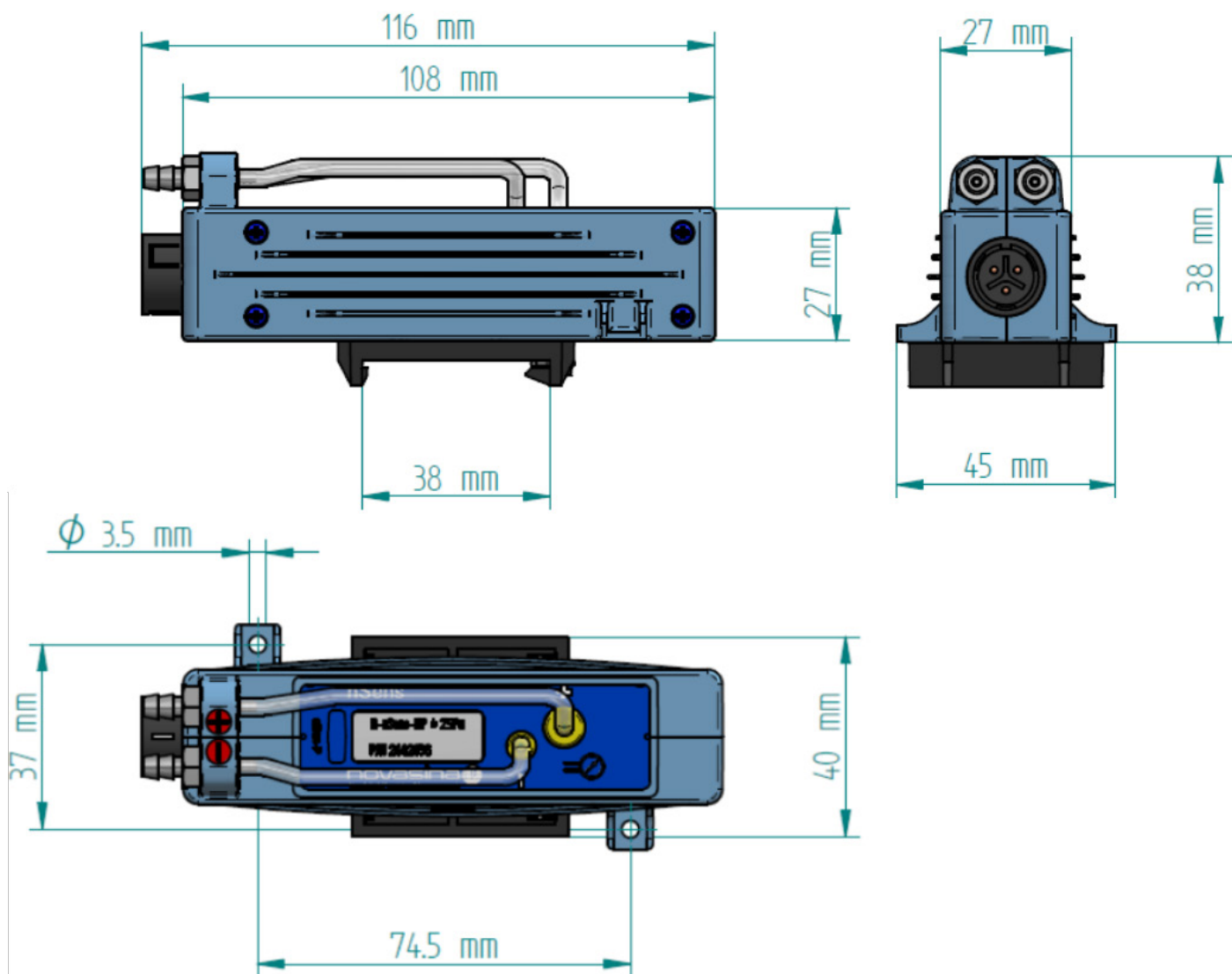
Product-name:

2602186	nSens-DP-AE	1*dp sensor ± 25 Pa
2602187	nSens-DP-BE	1*dp sensor ± 250 Pa
2602188	nSens-DP-CE	1*dp sensor ± 5000 Pa

Technical data:

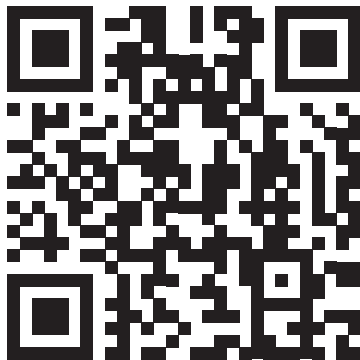
Measurement range	-25 to +25 Pa	-250 to +250 Pa	-5000 to +5000 Pa
Accuracy at 20°C	± 0.15 Pa	Range ± 50 Pa: ± 0.20 Pa Range ± 100 Pa: ± 0.25 Pa Range ± 250 Pa: ± 0.50 Pa	$\pm 1.0\%$ F.S
Temperature effect	Max. ± 0.10 Pa	Max. ± 0.10 Pa	Max. ± 0.20 Pa
Max. permissible overpressure	2 bar (burst pressure 4 bar)		0.1 bar (burst pressure 0.3 bar)
Flow rate	<200ul/min		None
Max. Resolution	0.1 Pa		
Long term stability	$\pm 0.05\%$ FSS (typ)		
Ambient pressure dependency	Compensated with built in abs pressure sensor		
Ambient pressure: Range	700 – 1260 hPa / mBar		
Ambient pressure: Accuracy	± 0.5 hPa		
Housing material	PC/ABS		
Protection class	n/a		
Soldering material	lead free (RoHS compliant)		
Working temp.	0 to 50°C		
Storage temperature	-10 to 60°C (non-condensing)		
Kalibration	1-point. Requires nLink-USB and PC software (nSoft-ACT-T)		
CE-/EMC	Safety: IEC 61010-1:2020 EMC: IEC 61000-6-2:2016, EN 61000-6-2:2019 IEC 61000-6-3:2020, EN 61000-6-3:2007+A1:2011		

Dimension & Schematics:



More information & accessoires

[Link to Website>](#)



Technical data subject to change without prior notice